

CLEAR COMFORT: Commercial Installation

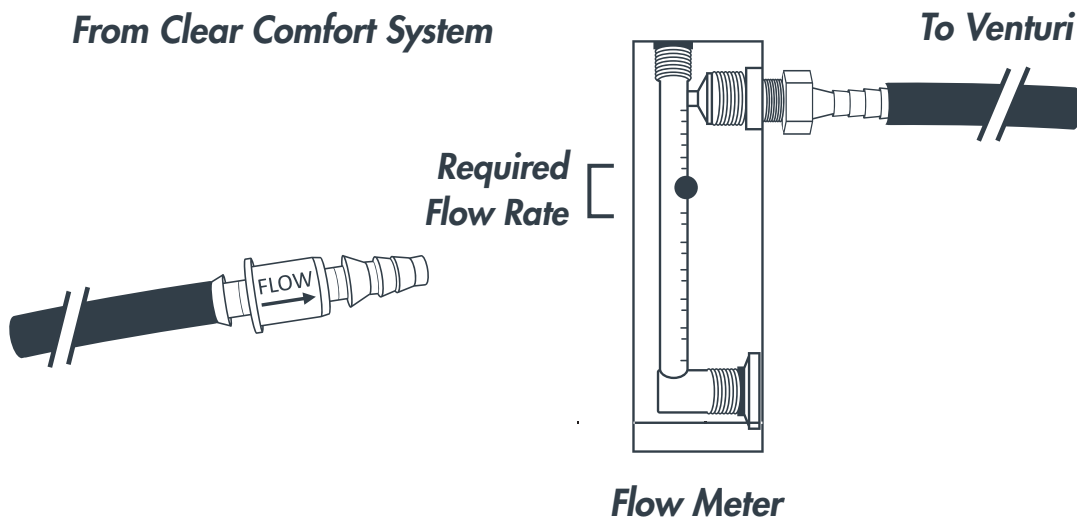
Flow Requirements



The Clear Comfort system must be installed as shown on the following diagrams and should meet the flow rates required to supply gas in the following amounts:

MODEL	UNIT	MINIMUM	MAXIMUM	BOOSTER PUMP SIZE
CCW300A Entry Commercial	Liters Per Minute	12 LPM	14 LPM	3/4 - 1 HP
CCW300 Medium Commercial	Liters Per Minute	23 LPM	28 LPM	1.5 - 2 HP
CCW500 Large Commercial	Liters Per Minute	55 LPM	62 LPM	3 HP

NOTE: Variable speed pump or variable frequency drive (VFDs) are preferred.

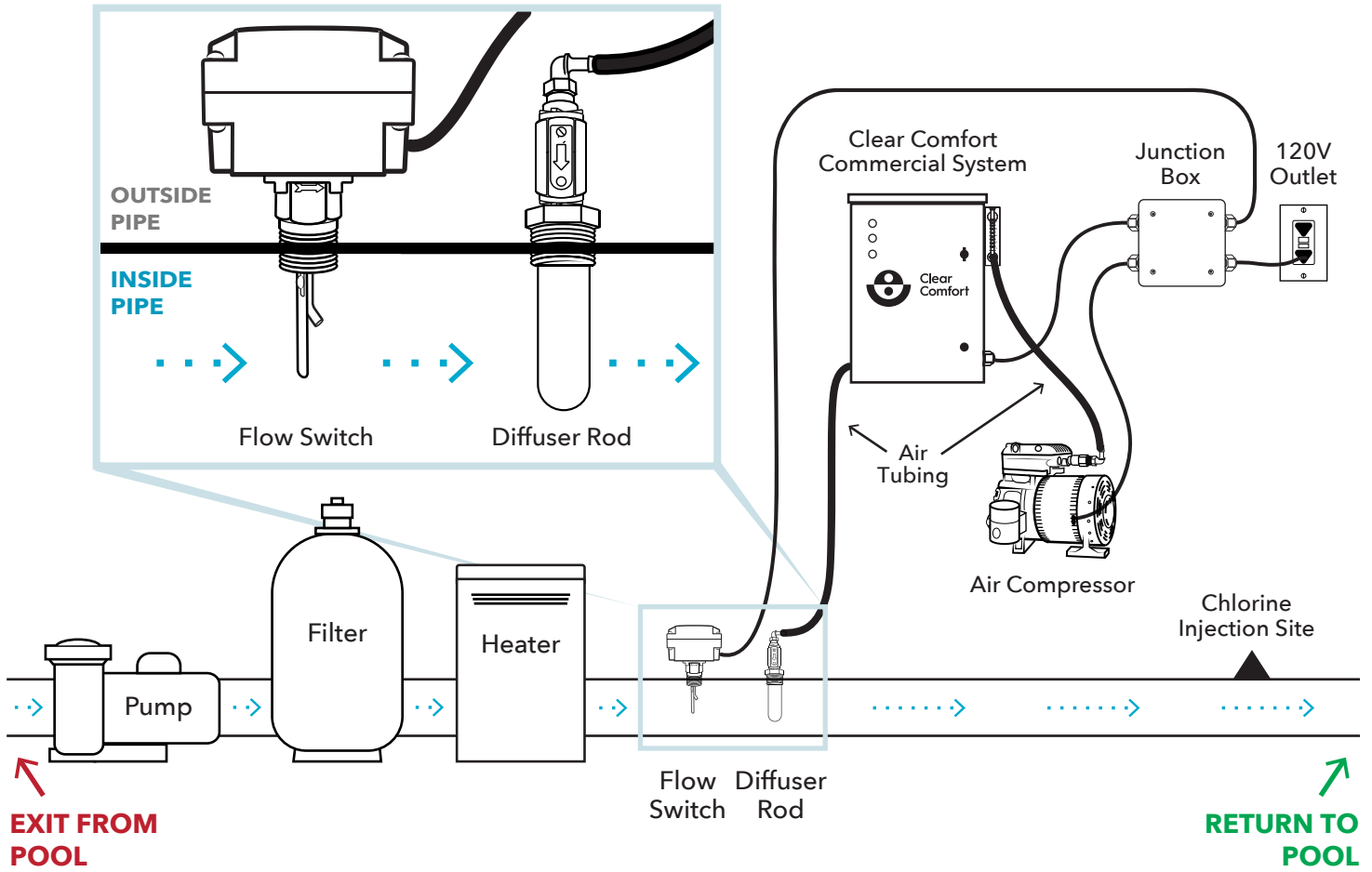


HAVE QUESTIONS? CONTACT US TODAY:

☎ 303.872.4477 ✉ info@clearcomfort.com 🌐 clearcomfort.com

CLEAR COMFORT: Commercial Installation

Full System Diagram With Inline Diffuser



HAVE QUESTIONS? CONTACT US TODAY:

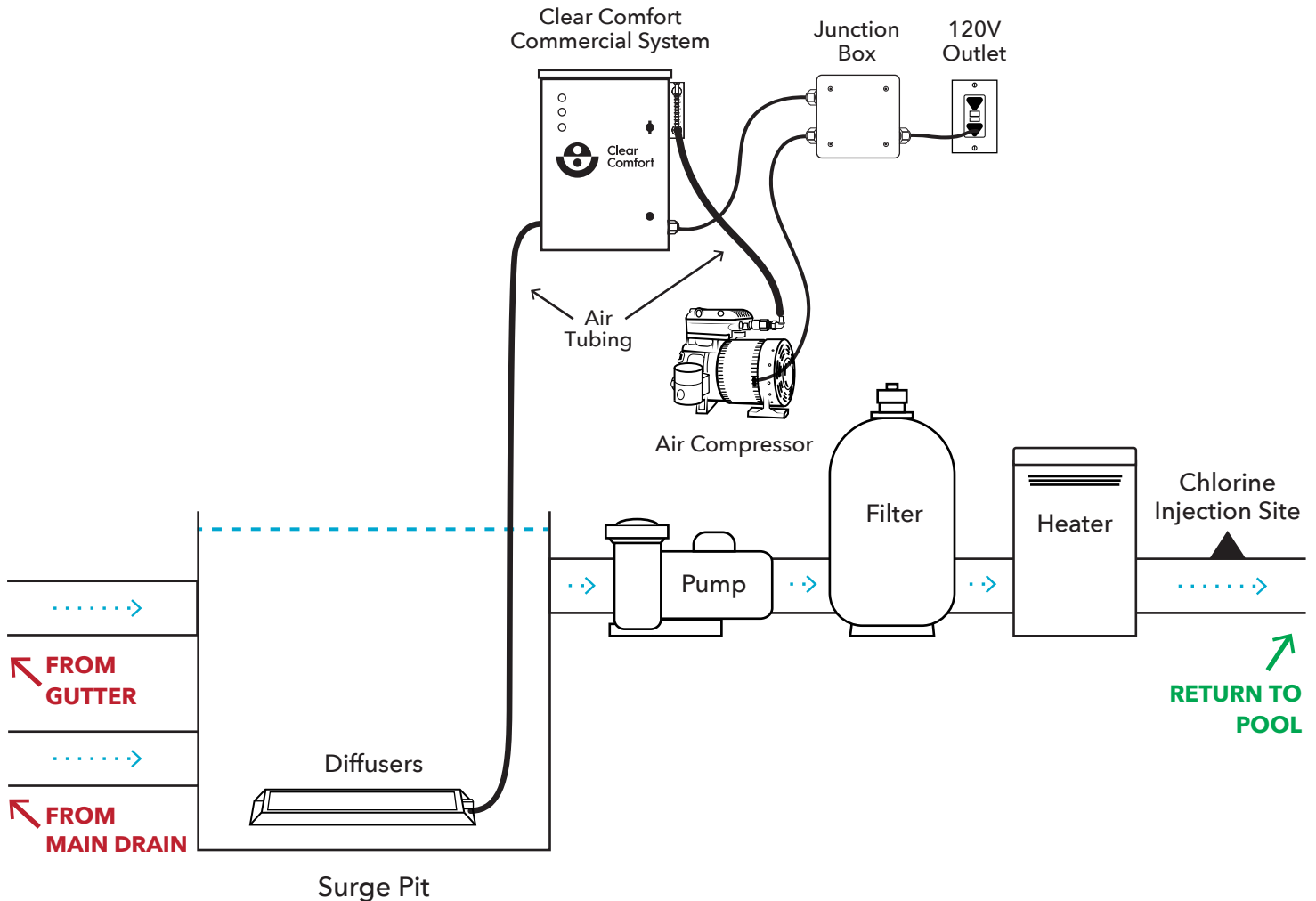
☎ 303.872.4477

✉ info@clearcomfort.com

🌐 clearcomfort.com

CLEAR COMFORT: Commercial Installation

Full System Diagram With Surge Pit Diffuser



PLEASE NOTE:

- For the best mixing and bubble removal, position the Diffuser below the gutter/main drain pipes.
- Not all Surge Pits are designed the same. For additional installation questions, please use the information below to contact Clear Comfort's customer success team.

HAVE QUESTIONS? CONTACT US TODAY:

☎ 303.872.4477 ✉ info@clearcomfort.com 🌐 clearcomfort.com

CLEAR COMFORT: Commercial Installation

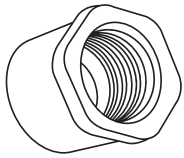
Full System Diagram With Booster Pump



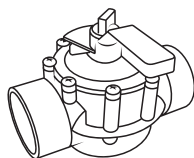
Clear Comfort commercial systems can be installed on a variety of pipe sizes and diameters.

We recommend a booster pump for the installation in the following configuration.

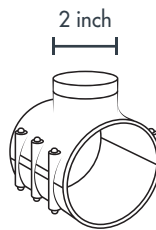
Required Installation Materials:



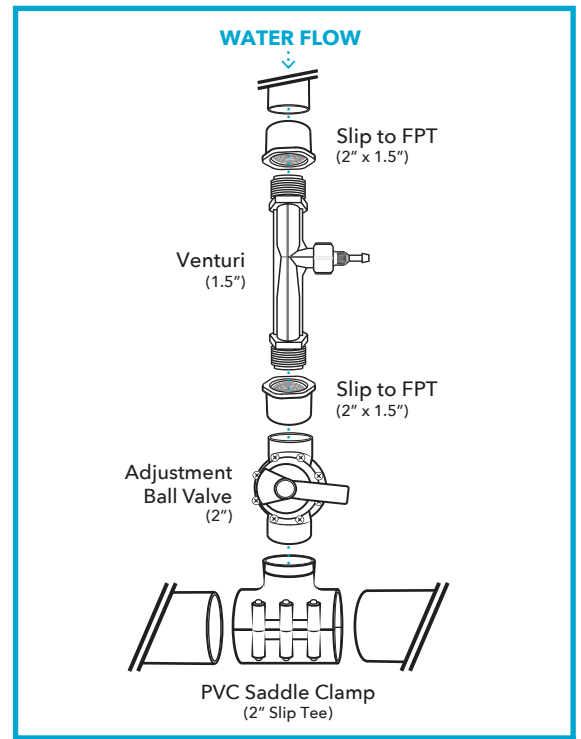
PVC Reducer Bushing
SLIP x FPT
2 inch x 1.5 inch



Isolation & Adjustment
Ball Valve
2 inch



PVC Saddle Clamp
2 inch Slip Tee



Full System Diagram With Booster Pump:

